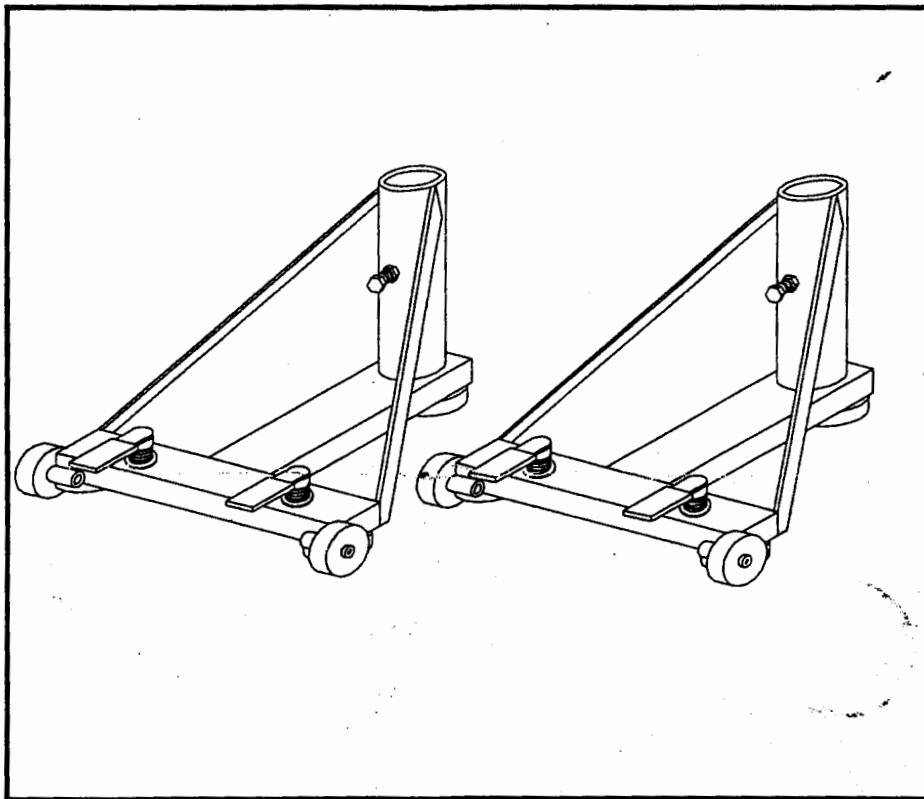




AMERICAN ATHLETIC, INC.
200 AMERICAN AVENUE
JEFFERSON, IOWA 50129
PHONE 515-386-3125

TOLL FREE 800 247 3978

ASSEMBLY INSTRUCTIONS



T-BASE ENDS, PAIR
WITH "B" PLATE INSTALLATION

#49957

MODEL NUMBER	LAST REVISION DATE	INSTRUCTION SHEET NUMBER
0408218	08-20-96	0081547

AMERICAN ATHLETIC, INC.
200 AMERICAN AVENUE
JEFFERSON, IOWA 50129
PHONE 515-386-3125

MODEL #408218
INSTRUCTION SHEET #81547
AUGUST 20, 1996

ASSEMBLY PARTS LIST

KEY	PART NO.	DESCRIPTION	QTY
1	0020681	1/2 X 1-5/8 SHOULDER BOLT	4
2	0030450	2-1/2 DIAMETER TRANSPORT WHEEL	4
3	0049949	END BASE ASSEMBLY	2

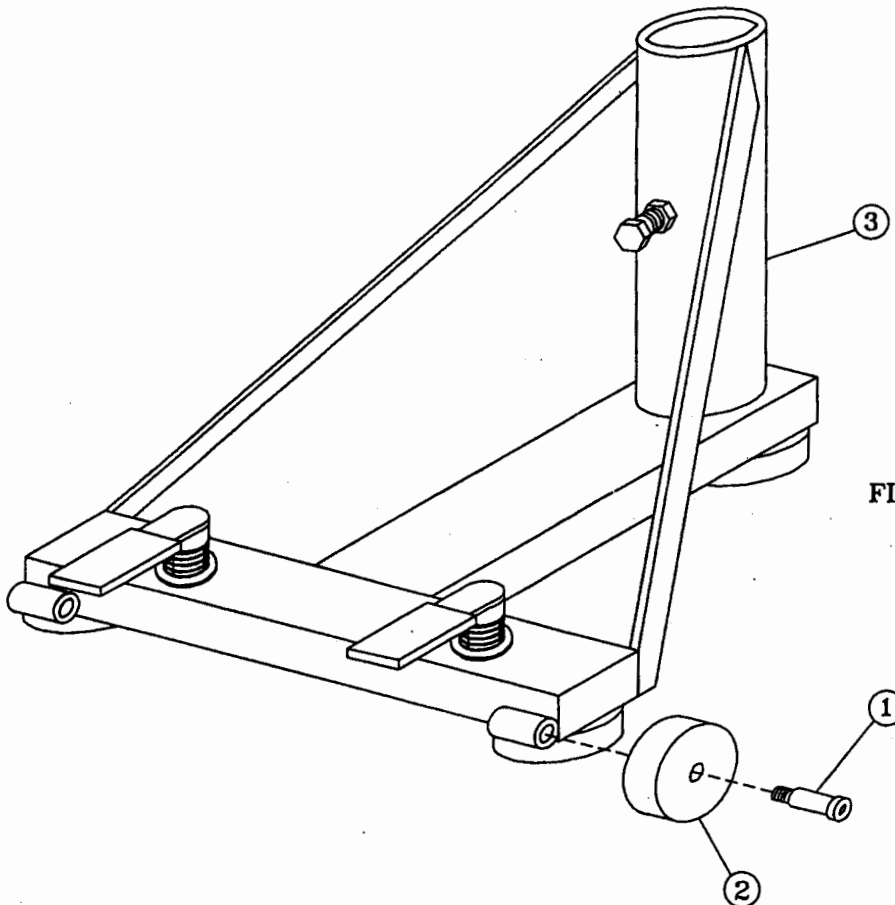


FIGURE 1

BEFORE YOU BEGIN ASSEMBLY

1. YOU WILL NEED FOUR FLOOR PLATES, INSTALLED, AND ONE 3/4" WRENCH.
2. INSTALL FLOOR PLATES TO FASTEN THE BASES TO THE FLOOR.

NOTE: IF YOU WISH TO INSTALL IN A FLOATING FLOOR THAT REQUIRES A FLOOR PLATE THAT SITS BELOW THE TOP SURFACE OF THE FLOOR, YOU SHOULD USE AAI STYLE "E" FLOOR PLATES. IF THIS IS THE CASE, YOU WILL REQUIRE LONGER ANCHORS THAN THE ONES SUPPLIED WITH THIS UNIT.

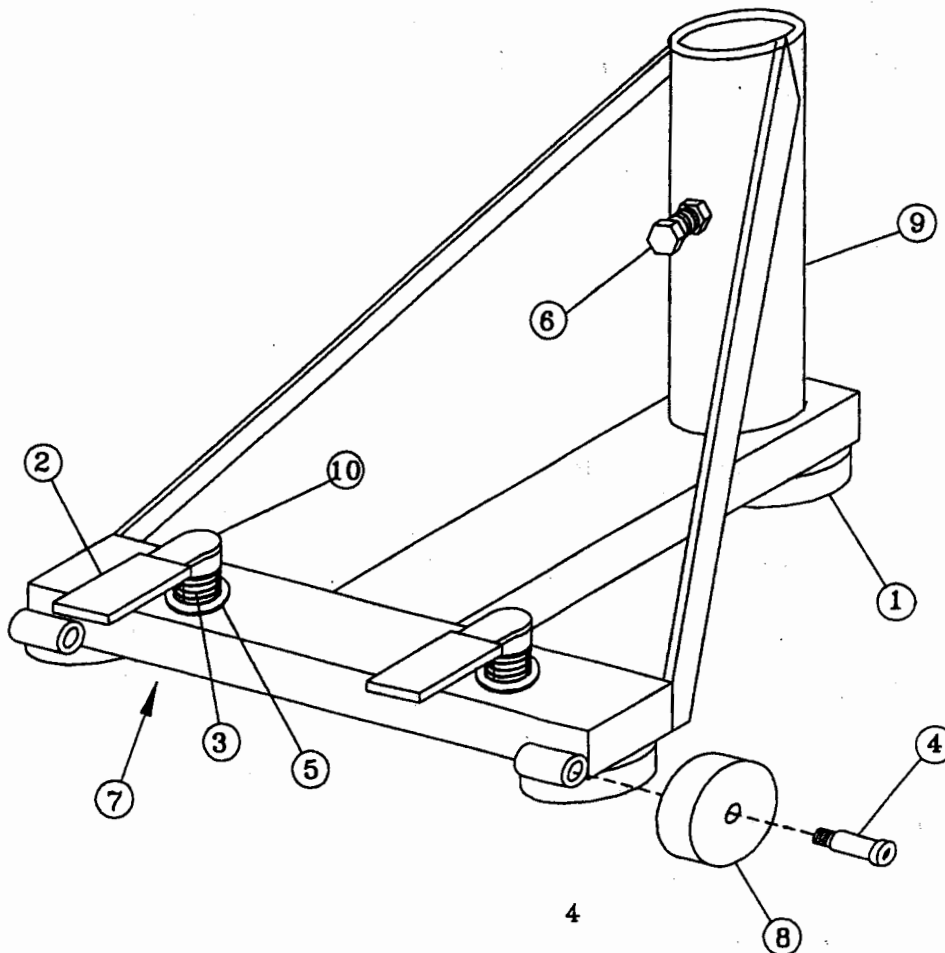
3. FIGURE 2 ON THE NEXT PAGE DEPICTS THE FLOOR PLATE LOCATIONS FOR A SINGLE COURT. INSTALL FLOOR PLATES FOR THE CENTER AND END T-BASES AT THE LOCATIONS SHOWN IN FIGURE 2.

AMERICAN ATHLETIC, INC.
 200 AMERICAN AVENUE
 JEFFERSON, IOWA 50129
 PHONE 515-388-3125

MODEL #408218
 INSTRUCTION SHEET #81547
 AUGUST 20, 1996

REPLACEMENT PARTS LIST

KEY	PART NO.	DESCRIPTION	QTY
1	0007120	RUBBER FOOT	6
2	0007320	RED HAND GRIP	4
3	0015040	SPRING	8
4	0020681	1/2 X 1-5/8 SHOULDER BOLT	4
5	0020690	1/2 FLAT WASHER	8
6	0020775	1/2 X 1 HEX HEAD CAPSCREW	2
7	0021250	1/8 X 3/4 SPRING PIN	4
8	0030450	2-1/2 DIAMETER TRANSPORT WHEEL	4
9	0048524	END BASE WELDMENT	2
10	0049951	ANCHOR WELDMENT	4



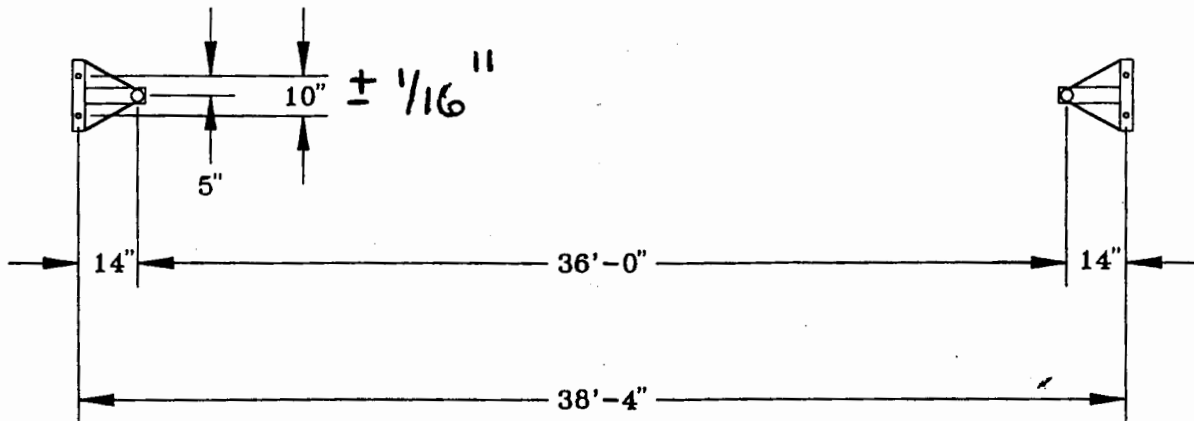


FIGURE 2

ASSEMBLY INSTRUCTIONS

1. FASTEN THE TRANSPORT WHEELS TO EACH BASE WELDMENT USING THE 1/2" X 1-5/8" SHOULDER BOLTS PROVIDED.
2. AFTER THE FLOOR PLATES HAVE CURED PROPERLY, INSTALL THE BASES TO THE FLOOR PLATES BY THREADING THE RED-HANDLED ANCHORS DOWN INTO THE FLOOR PLATES. TIGHTEN SECURELY.
3. INSERT THE UPRIGHTS OF YOUR STEEL VOLLEYBALL SYSTEM (408335) INTO THE SLEEVES OF THE END BASES AND SECURE IN PLACE BY TIGHTENING THE 1/2" X 1" HEX HEAD CAP SCREW ON THE UPRIGHT OF THE BASE.
4. YOUR SYSTEM IS NOW INSTALLED.

USE OF THIS PRODUCT

1. ALWAYS USE PADS WITH THIS PRODUCT TO PROTECT PLAYERS FROM INJURY DUE TO COLLISION WITH THE BASES.
2. ALWAYS MAKE SURE THE 1/2" CAP SCREW IS SECURELY TIGHTENED AND THAT THE ANCHOR BOLTS ARE SECURELY INTO THE FLOOR PLATES BEFORE TENSIONING THE NET AND BEGINNING PLAY.
3. TO TRANSPORT THE SYSTEM, UNHOOK THE NET, UNSCREW THE ANCHORS, TIP THE UPRIGHT DOWN AND ROLL ON THE RUBBER WHEELS. TO RE-SET IN PLACE, ROLL THE UPRIGHT AND BASE TO THE DESIRED LOCATION, TIP UP AND RE-SECURE ANCHORS.
4. PERIODICALLY INSPECT YOUR EQUIPMENT FOR DAMAGE OR EXCESSIVE WEAR. DO NOT USE DAMAGED EQUIPMENT. CONTACT AAI FOR REPAIR OR REPLACEMENT.