

AAI ACCOUNT 1243

MODEL NO. 0408135 & 0408136
INSTRUCTION SHEET NO. 81473
JANUARY 6, 1989
REVISED 02-02-91



AMERICAN ATHLETIC, INC.

FAX 515 386 4566

Assembly Instructions

POWER VOLLEYBALL SYSTEM

OR

POWER VOLLEYBALL END STANDARD

REPLACEMENT PARTS LIST

ITEM	PART NO.	DESCRIPTION	QTY.
1	47865	End Upright Weldment	1
2	47868	Center Upright Weldment	1
3	9947631	End Standard Piston - Plated	1
4	9947623	Center Standard Piston - Plated	1
5	7111	Foot - Rubber	2
6	47864	Movable Collar Weldment	2
7	9919005	Attachment Screw	2
8	43675	Spin Lock Assembly	2
9	15100	PB Assist Spring	2
10	7404	Pulley - End Standard	1
11	20532	Bolt - 3/8"x1-1/2" HH	1
12	19202	Bushing - Pulley	1
13	20390	3/8" Stover Nut	5
14	49579	Reel-Clamp-Strap-Cable Assembly	1
15	47872	Clamp - Reel	2
16	20471	Screw - 3/8"x3/4" Button Hd.	2
17	21230	Bolt - 3/8"x4" HH	2
18	9707280	Antenna	2
19	45235	Antenna Cover Assembly	2
20	49066	Cable Guide, PVS	1

TOOLS REQUIRED FOR ASSEMBLY:

2 - 9/16" Wrenches

TO ASSEMBLE YOUR UNIT:

1. In order to use your new PV Standards, you must either have installed the new Competitive PV floor plates (408100), or installed the floor plate adaptors (408102) in the old style PV floor plates (408745).
2. This instruction sheet serves for both the PVS End Standard (408136) and the PVS Standard System (408135) See Figure 1.
3. Equipment to be used with these standards;
 - NETS: a) 434037 - 36" net
 - b) 434038 - 1 meter net
 - PADS: a) 408083 - End pads
 - b) 408084 - Center pads
4. Set standards into floor plates.
5. Using the 3/8"x1-1/2" HH bolt (no.11), the Pulley Bushing (no.12) and one of the 3/8" Stover Nuts (no.13), attach the End Standard Pulley (no.10) to the End Standard Piston (no.3) as shown in Figure 1.

NOTE FOR STEP NO. 6:

If you are using these standards with a T-Base System or Free Standing System, you will need to mount the reel in the lower set of holes in your upright.

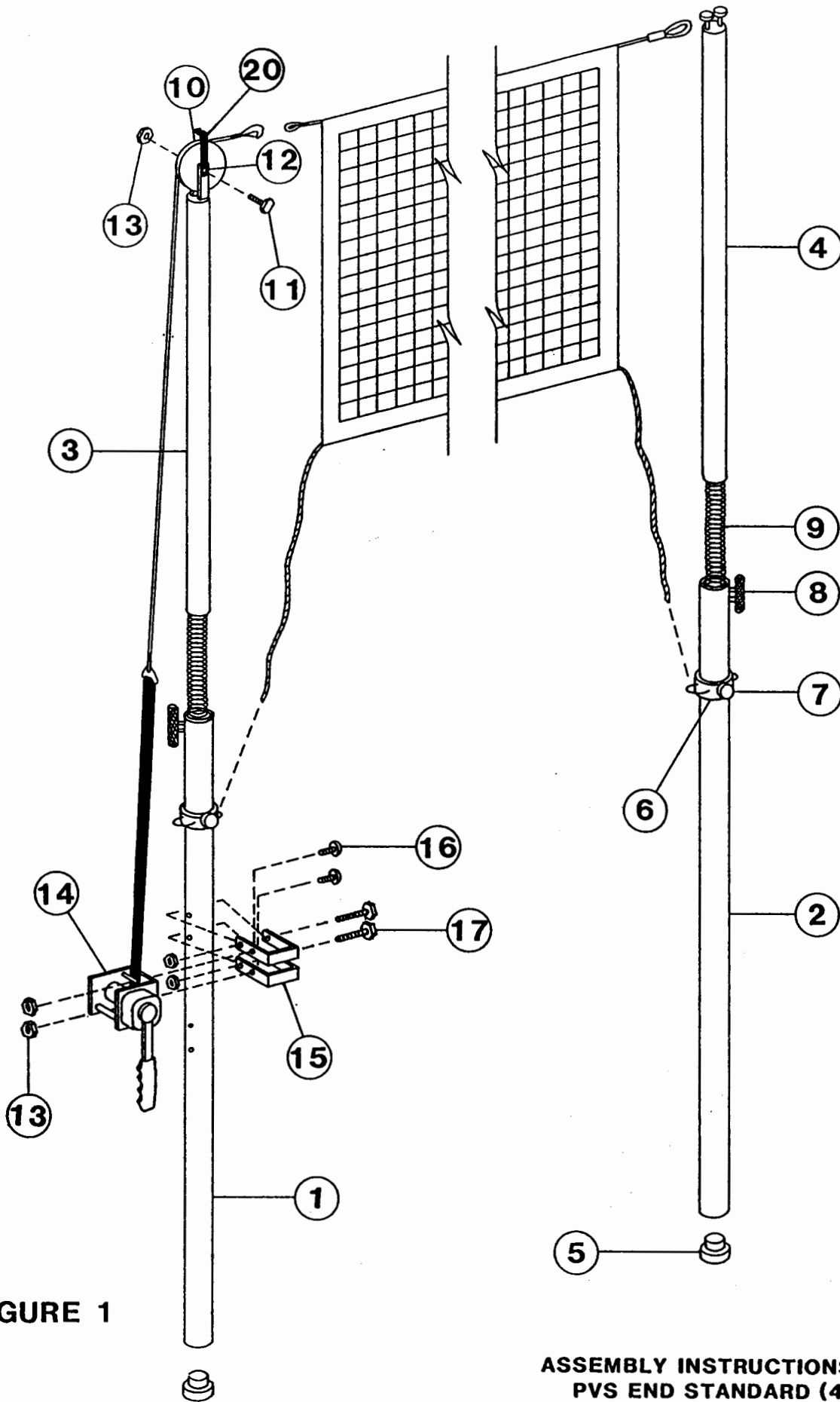


FIGURE 1

**ASSEMBLY INSTRUCTIONS FOR THE
 PVS END STANDARD (408136)
 PVS STANDARD SYSTEM (408135)
 INSTRUCTION SHEET NO. 81473**

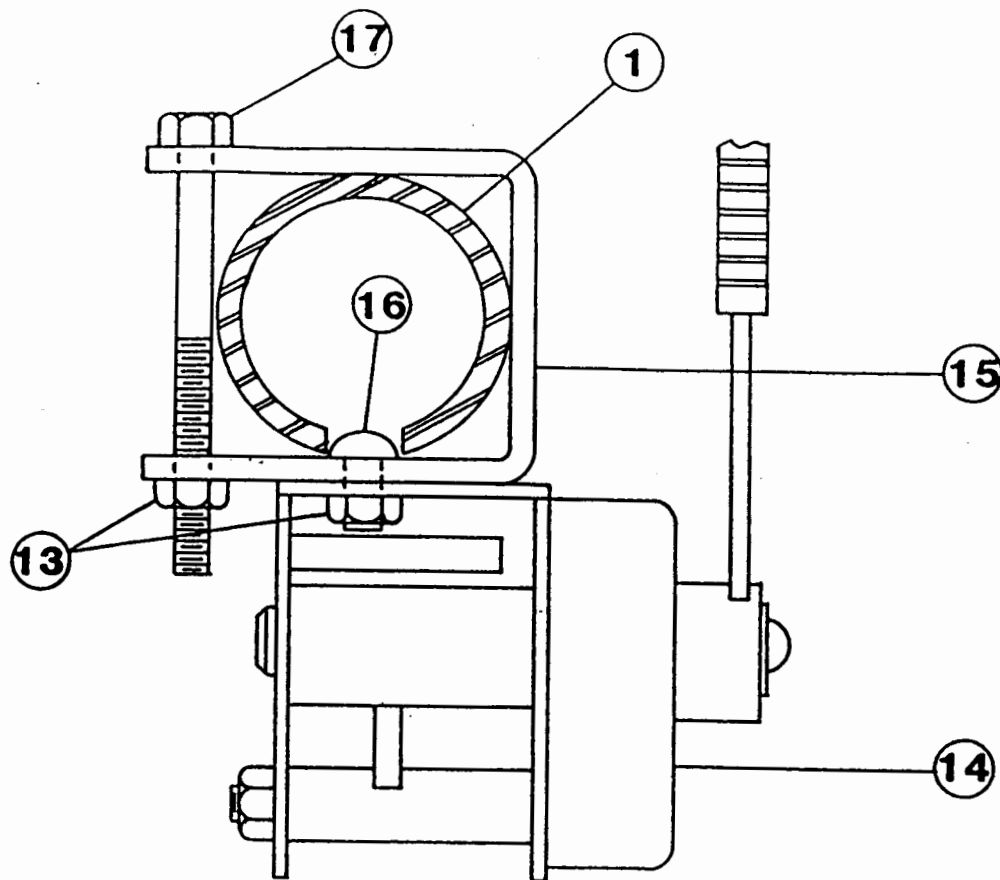


FIGURE 2

6. Next, attach the reel and clamp assembly (No. 14 and 15) to the End Upright Weldment (No. 1). This is done by sliding the clamps around the upright tube until the heads of the button head screws slip into the holes on the upright. When you have the clamps in the proper position, secure them in place using the 3/8" X 4" HH bolts (No. 17) and the 3/8" Stover Nuts (No. 13). See Figure 2.
7. To attach the net, hook one of the cable loops on the net to the top of the center piston as shown in Figure 1. Hook the other end to the Snap Hook provided at the end of the cable on the Reel Assembly.
8. To adjust net height, loosen the reel so that net sags. NOTE: WHEN LOOSENING REEL THE FIRST FEW TIMES YOU USE IT, IT MAY BE NECESSARY TO HIT THE HANDLE OF THE REEL WITH THE PALM OF YOUR HAND WITH SOME FORCE. THIS IS TO BE DONE TO MAKE HANDLE MOVE IN COUNTER CLOCKWISE DIRECTION. Next, loosen the spin locks and the attachment screws. This allows the pistons and the collars to move up or down as desired. Note the markings of M and W on the pistons. When pistons and collars are in position, tighten spin locks, attachment screws and winch. Fine adjustment of net height may be accomplished by varying the tension of the winch.

THE INTERNATIONAL SPECIFICATIONS ON HEIGHT ARE:

Men's Volleyball	2.43 meters (7' 11-5/8")
Women's Volleyball	2.24 meters (7' 4-1/8")

THE NATIONAL FEDERATION SPECIFICATIONS ON HEIGHT ARE:

Men's Volleyball	8' 0"
Women's Volleyball	7' 4-1/4"

These measurements are taken from the center of the net to the floor. The allowable sag from the end of the net to the center of the net is 3/4".

9. Notice the cords on the end of the net. These are to be tied around the pistons to keep the net taut.
10. Referring to Figure 4, insert the antenna (No. 18) into the Antenna Cover Assembly (No. 19) going downwards from the slit. Slide the antenna to the bottom edge of the velcro pile or approximately seven inches from the bottom of the antenna cover.
11. To attach antenna and cover to net, place it vertically against net, fold excess cover over top and bottom of net, and secure velcro.

UNITED STATES VOLLEYBALL ASSOCIATION (USVBA) RULES:

The antennae must be in line with the outer edge of the court boundary lines and the antennae covers to the inside of the volleyball court.

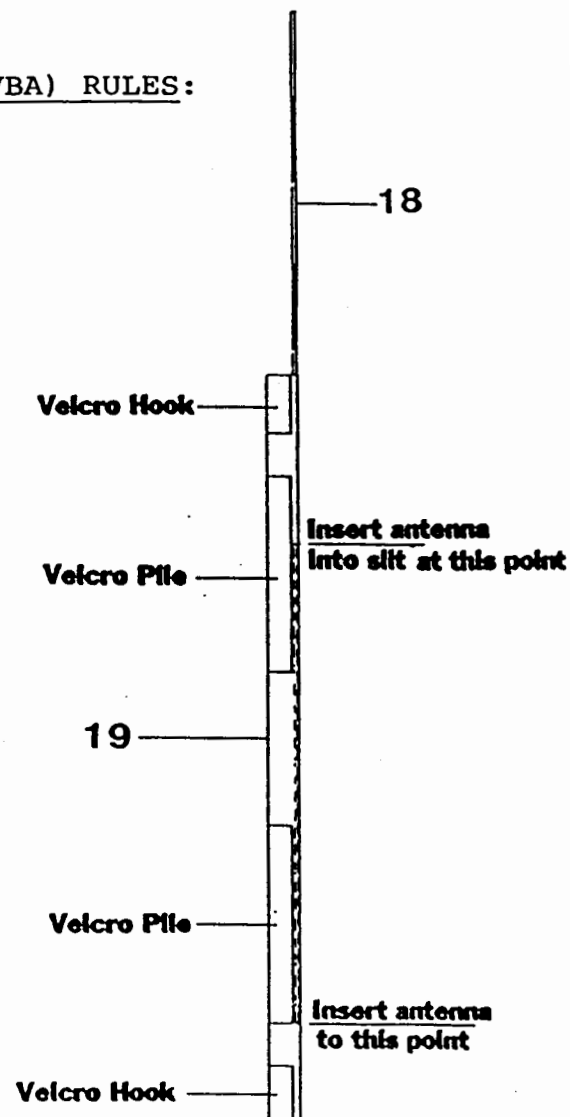
NATIONAL FEDERATION OF STATE HIGH SCHOOL ASSOCIATION (NF) RULES:

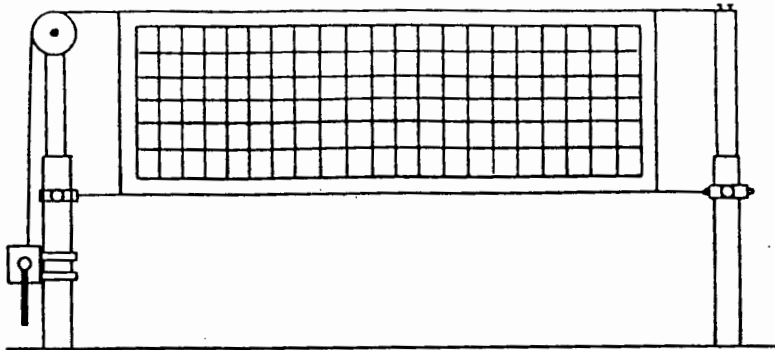
Attach boundary markers top to bottom on the net directly above each sideline. Then attach antennae and covers to the net 8-1/2" outside the boundary markers.

WARNING: BEFORE USING EACH TIME, MAKE SURE SPIN LOCKS AND ALL OTHER FASTENERS ARE SECURELY TIGHTENED.

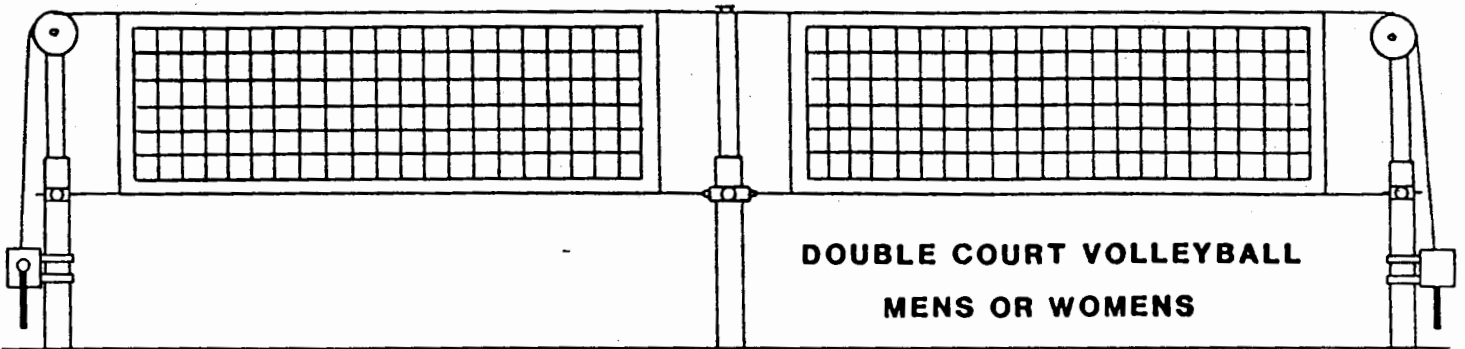
GENERAL MAINTENANCE INSTRUCTIONS:

SEE MAINTENANCE OF EQUIPMENT ON LAST PAGE OF INSTRUCTION MANUAL.

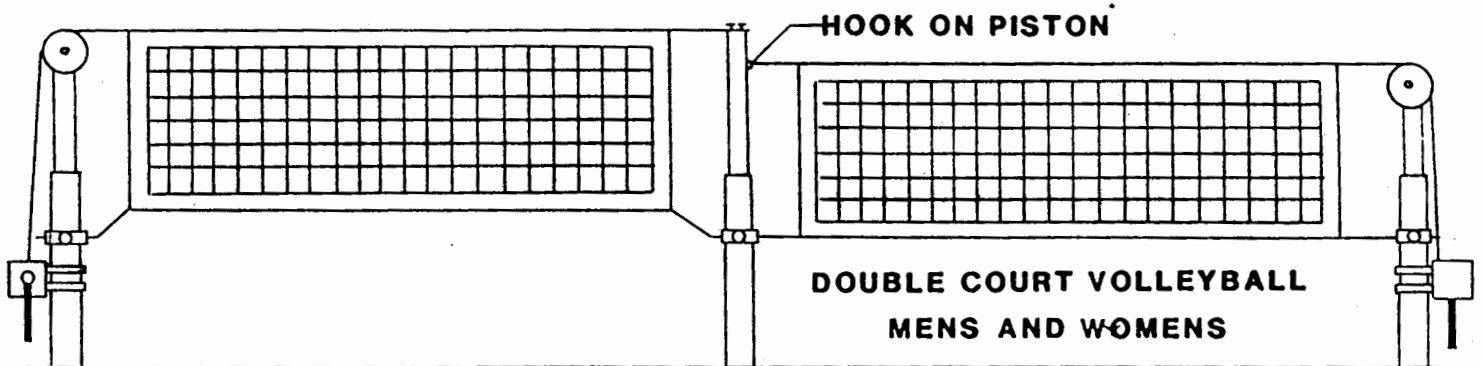




**SINGLE COURT VOLLEYBALL
MENS OR WOMENS**



**DOUBLE COURT VOLLEYBALL
MENS OR WOMENS**



**DOUBLE COURT VOLLEYBALL
MENS AND WOMENS**

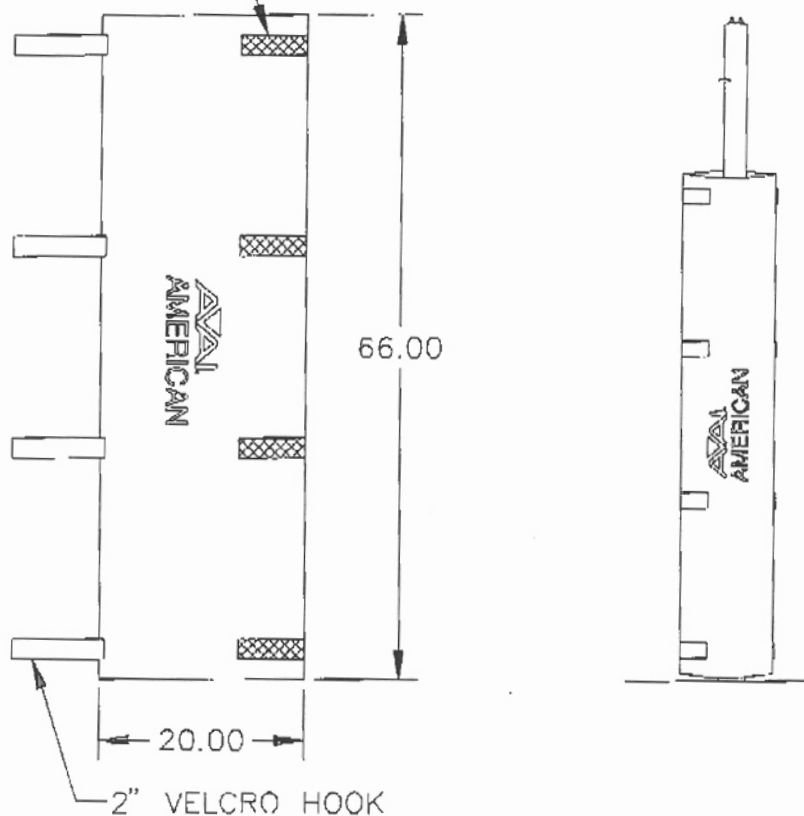


#408184/408187

VB CENTER STANDARD PADS



2" VELCRO LOOP



SPECIFICATIONS

- * THIS PAD SET CONSISTS OF (2) FLAT PADS THAT VELCRO TOGETHER TO ALLOW NET ATTACHMENTS FROM BOTH COURTS.
- * STANDARD PADS CONFORM TO USVBA, NJSHA AND NCAA SPECIFICATIONS
- * FOAM FILLER IS 1" FINE CELL CROSS-LINK POLYETHYLENE WITH A DENSITY OF 2.0 LB/CUBIC FOOT PROVIDED EXCELLENT ENERGY ABSORPTION.
- * COVER MATERIAL IS A VINYL LAMINATED POLYESTER FABRIC THAT HAS A FINISH WEIGHT OF 14 OZ/SQUARE YARD. THE FABRIC CONTAINS ANTIFUNGAL AND ANTIBACTERIAL AGENTS AND IS EASILY CLEANED USING MILD SOAP AND WATER. THE COVER FABRIC MEETS THE NATIONAL FIRE PROTECTION STANDARD 701.

1 PACKAGE - 17" X 18" X 35" WEIGHT: 16 LBS.